



WTL01 Submersible Level Transmitter



- Piezoresistive Silicon Chip Employed
- MEMS Technology
- Cable Ventilated
- Excellent long term stability
- Hart protocol selectable
- CE certificate

WTL01 level transmitter is a standard and most economic transmitter applied in liquid level measuring. A high sensitivity piezoresistive silicon pressure chip is employed in the transmitter.

Typical Application

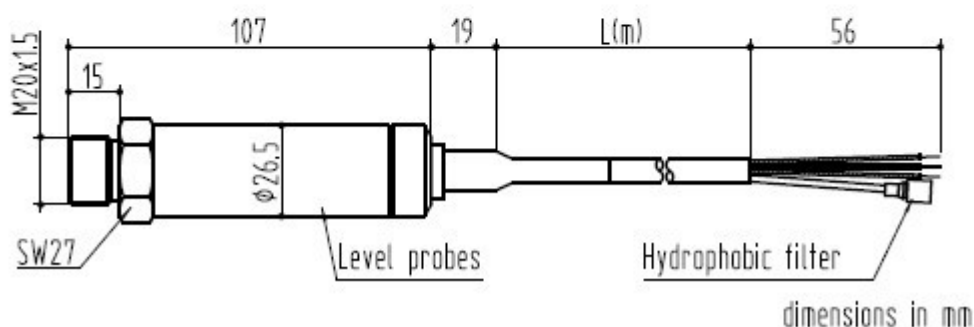
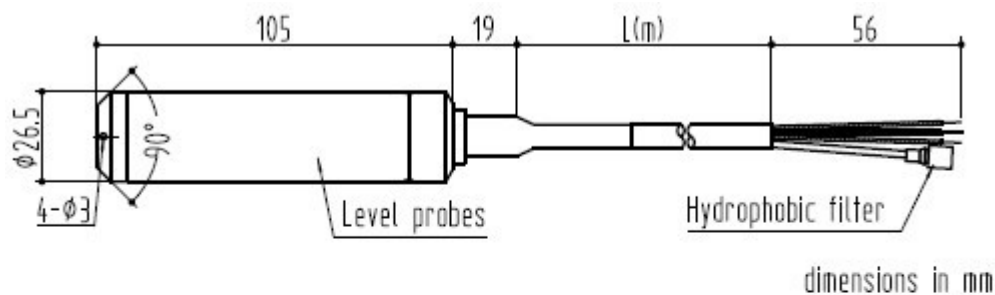
Depth and level measurement in

- Wells
- Reservoirs
- Lakes
- Rivers
- Sewage treatment plant
- Water tank
- Ground water monitoring
- Surface water monitoring

Pressure	
Pressure range	1m, 2m, 5m, 10m, 20m, 50m, 100m, 200m H ₂ O
Output Signal	
Output	4 to 20mA 0.5 to 4.5V 1 to 5V
Performance	
Accuracy (including linearity, hysteresis and repeatability)	±0.5%F.S.(Typical)
Overpressure	200%F.S.
Excitation	24V DC 5V
Compensated temp.	0--70° C
Medium temp.	0--60° C
Storage temp.	-40-125° C
Zero temp. coefficient	≤±0.03%F.S./ ° C
Span temp. coefficient	≤±0.03%F.S./ ° C
Long term stability	<0.2%F.S./year
Protection	IP68
Weight	245g(approx.)



Mechanical Drawing



Current (2 wire)

wire	connection
red	excitation+
green	Output+

Voltage (3 wire)

wire	Connection
red	excitation+
blue	excitation-
yellow	output+

How to order

WTL01 XX - XX - XX - XX - XX- XX- XX

Pressure range
Please write directly

Cable length in meter
Please write directly

Housing material
D1: Stainless steel
D2: Hastelloy

Hart Protocol
H1: without Hart protocol
H2: with Hart protocol

Excitation
E1: 5VDC
E2: 24VDC

Pressure connection
A1: without pressure connection
A2: M20*1.5
A3: G1/2
A4: others (please specify)

Output signal
S1: 4 to 20mA
S2: 0.5 to 4.5V
S3: 1 to 5V