

## WTW01 Industrial Temperature Transmitter

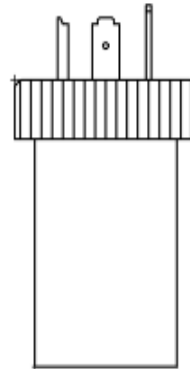
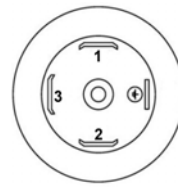
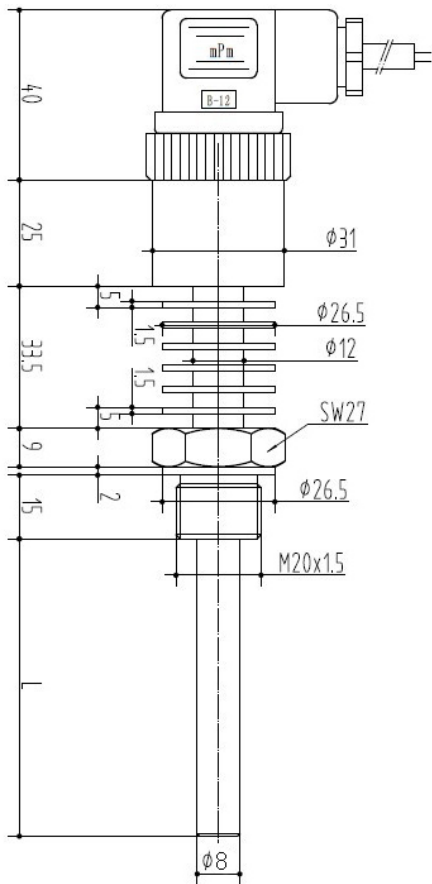


- Perfect long term stability
- RTD component
- Compact design
- Resistant against vibration and temperature shocks

Temperature measurement is one of the most important parameters which determine product quality, security and reliability. WTW01 industrial temperature transmitter is a standard and most popular transmitter applied in temperature measuring.

Temperature range	
temperature range	-50°C to 600°C (other temperature range available)
Output signal	
Output signal	4 to 20mA (typical)
Specification	
Accuracy	±0.3%F.S., ±0.5%F.S.
Excitation	24VDC (12VDC to 36VDC)
Environment temp.	-40-85°C
Long term stability	<0.03%F.S.
Pressure connection	see last page "how to order"
Insertion length	30mm to 2500mm
Protection	IP65

## Drawing



<b>2 wire</b>	Pin 1	+Excitation
	Pin 2	+output
	Pin 3	pending

In mm

## How to order

WTW01    XX —    XX    —XX

Temperature range

Please write directly

Insertion length (mm)

Please write directly

Screw thread

A1: M20×1.5  
A2: others (please specify)